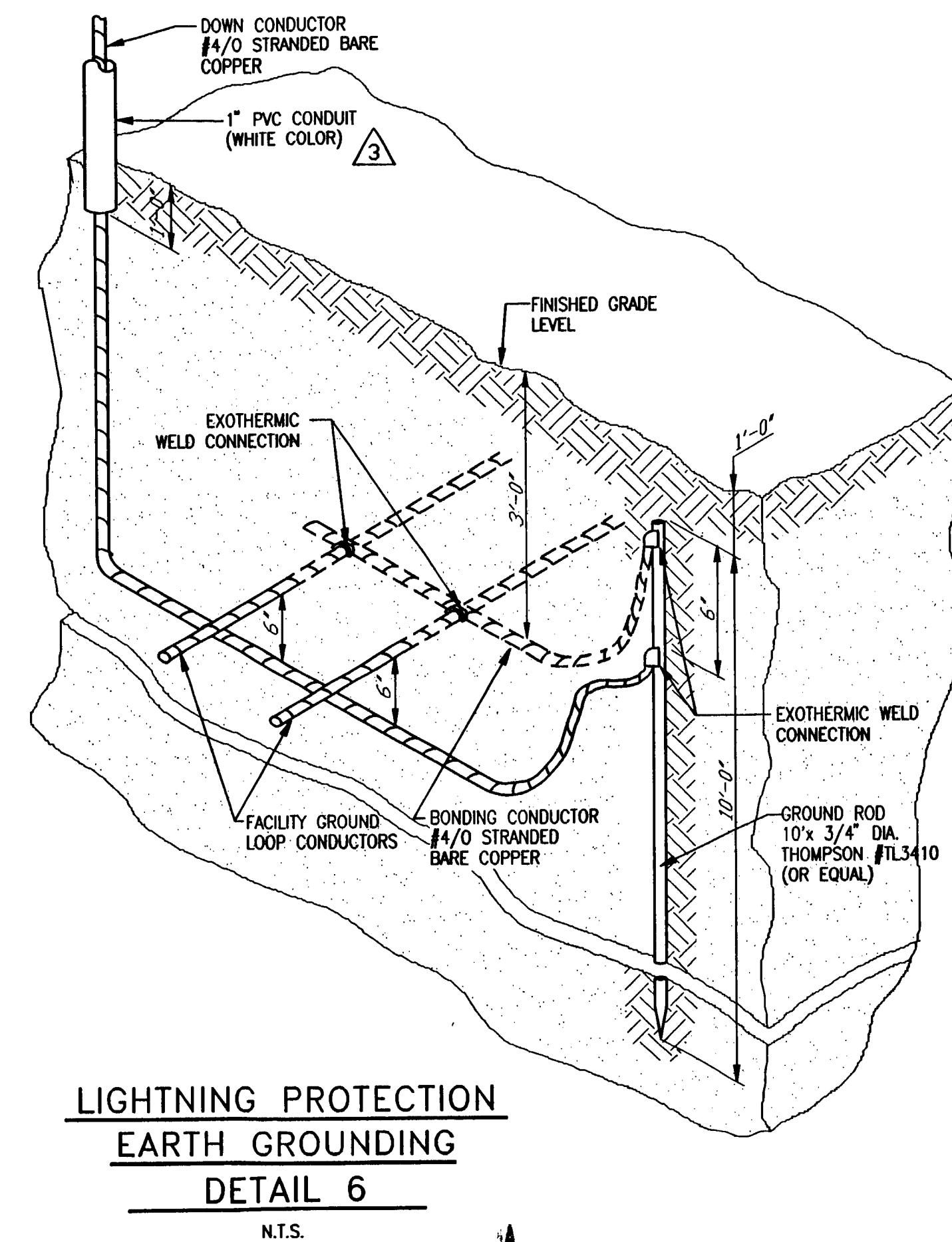
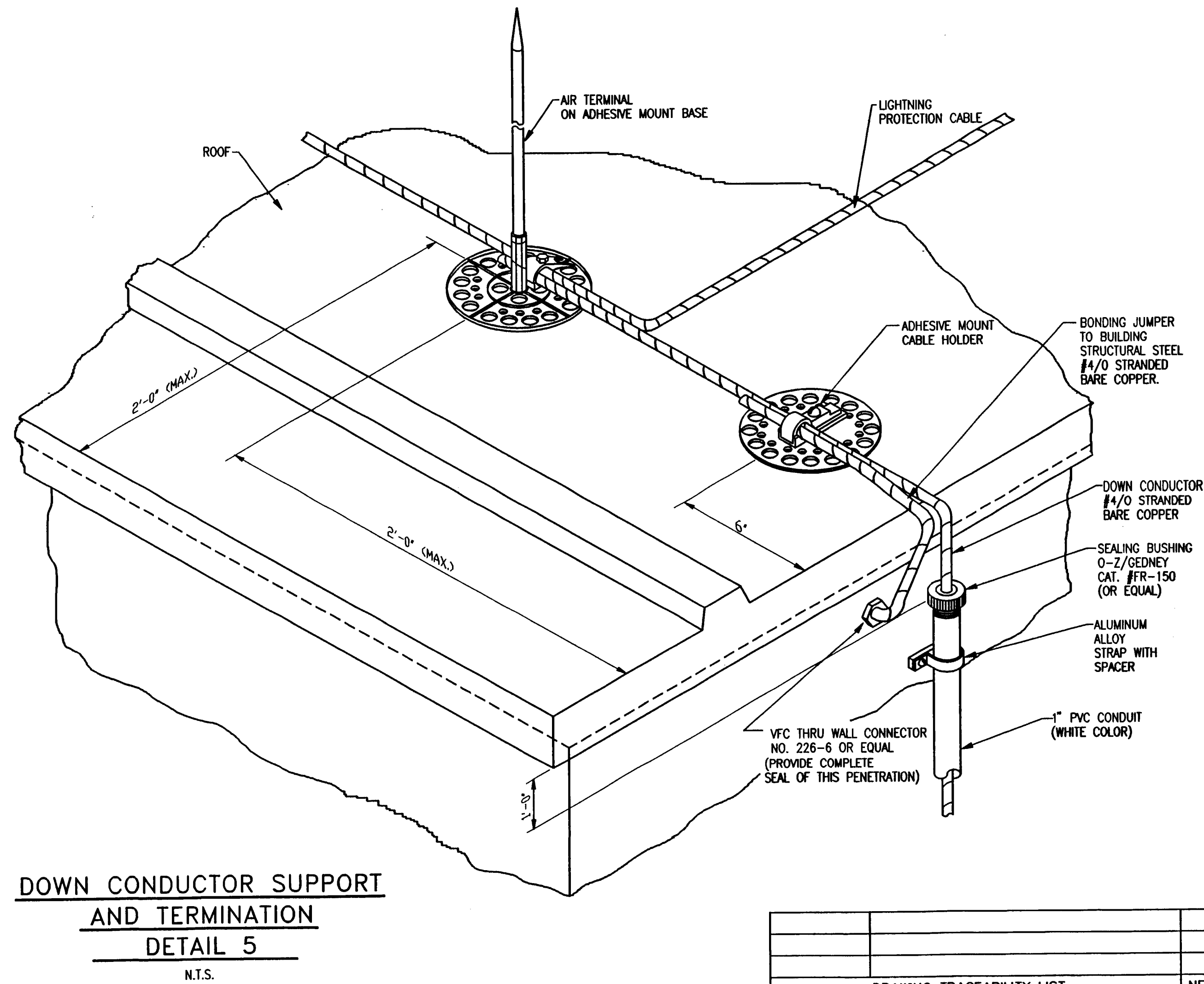
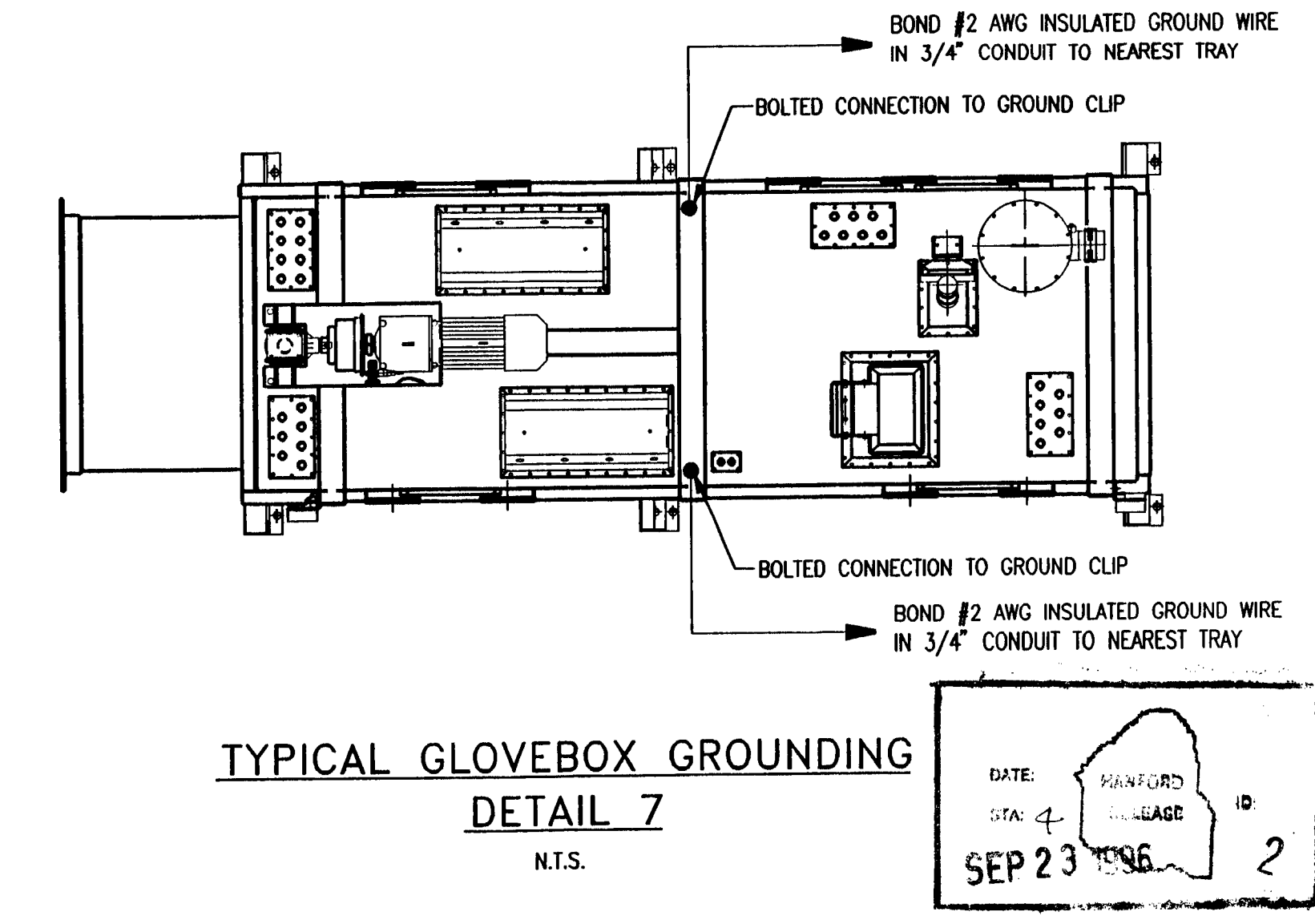


NOTE:  
1. BENDING RADIUS OF ALL CONDUCTORS SHALL BE NOT LESS THAN 8 INCHES.



REFERENCE DRAWINGS:  
H-2-132058  
H-2-132060  
H-2-132062  
H-2-132065  
H-2-132067  
H-2-132069  
H-2-132071  
H-2-132111



DATE: SEP 23 1986  
STA: 4  
LEAGE ID: 2

All previous Revisions submitted to Project File for W-026  
Project # W-026  
EDT # 702885  
United Engineers & Constructors, Inc. has changed its name to Raytheon Engineers & Constructors, Inc. as of January 1, 1984.  
Western Operations  
U.S. DEPARTMENT OF ENERGY  
RICHLAND OPERATIONS OFFICE  
WESTINGHOUSE HANFORD COMPANY

DESIGNED	BY	DATE	SIZE	BLDG NO.	INDEX NO.	DRAWING NUMBER	REV
E.KOPTILOV	E.KOPTILOV	4/3/92	D	2336-W	7309	H-2-131828	3
DRAWN	A.OSTWALD	4/6/92					
CHECKED	D.CALB	2/26/93					
LEAD ENGR	G.CHAMBERS	2/26/93					
ENG. MGR	R. BASU	2/26/93					
PROJ. MGR	M. WOLLERS	2/26/93					
	O.A.	G.FAUST					

REV NO.	DESCRIPTION	REV BY/DATE	CHK BY/DATE	APPROVALS/DATE
3	FIELD VERIFIED TO CONFIDENCE LEVEL C. REVISED PER ECN 1251	SF HASAN 8-30-96	G. CHAMBERS 8-30-96	
	REFERENCE DRAWINGS			
	DRAWING TRACEABILITY LIST			
	NEXT USED ON:			
	CADFILE: B131828A			CADCODE: 2C:IBM:ACD2:11:NN

COMPUTER GENERATED: NO MANUAL CHANGES ALLOWED

PREVIOUS REVISIONS WERE NOT RELEASED INTO THE HANFORD ENGINEERING DRAWING SYSTEM

08/20/96 10:14 AT SCALE: 1 = 1  
C.O. THE 6237.007  
COLOR PERmitt 2 8 8 2 8 2 8 0 0 2 2 1  
1 2 3 4 5 6 7 8 9 10 11 12 13  
C.O. THE 6237.007  
FORM 6237B(90)